

Electrolux

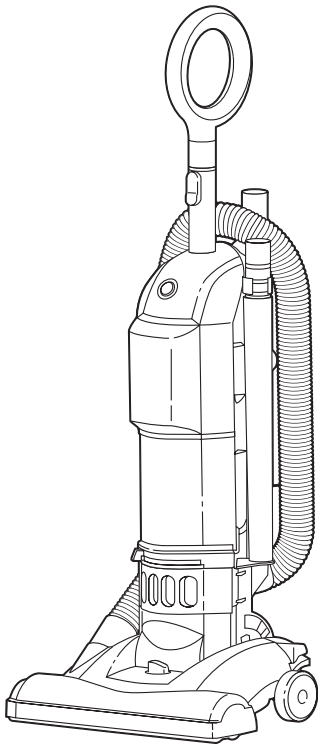
LOPIE

Upright Vacuum Cleaner

Owner's Guide

Household Type

Z2950 Series



IMPORTANT

For any advice
on your cleaner and
to order filters and
accessories,
please telephone the
Electrolux Helpline on
08706 055055

2-4 **IMPORTANT INFORMATION**

4 **GUARANTEE**

5 **QUICK REFERENCE**

5 **HOW TO ASSEMBLE**

6 **HOW TO USE**

7 **ROUTINE MAINTENANCE**

7 **Dust Cup**

7 **Top Filter**

8 **Bottom Filter**

8 **PERIODIC MAINTENANCE**

8 **Brushroll**

8-9 **Brushroll Belt**

10 **PROBLEM SOLVING**

10 **Clear Hose**

11 **Problems and Causes**

 *The Electrolux Group*

FILTER REPLACEMENT CODE: EF87a and EF82

www.electrolux.co.uk

IMPORTANT SAFEGUARDS

When using an electrical appliance, basic precautions should always be followed, including the following:

READ ALL INSTRUCTIONS BEFORE USING THIS VACUUM CLEANER.

WARNING

To reduce the risk of fire, electric shock, or injury:

- Do not use outdoors or on wet surfaces.
- **Do not leave vacuum cleaner when plugged in.** Turn off the switch and unplug the electrical cord when not in use and before servicing.
- Do not allow to be used as a toy. Close attention is necessary when used by or near children.
- Use only as described in this manual. Use only manufacturer's recommended attachments.
- Do not use with damaged cord or plug. If vacuum cleaner is not working as it should, has been dropped, damaged, left outdoors, or dropped into water, return it to a service centre before using.
- Do not pull or carry by cord, use cord as a handle, close a door on cord, or pull cord around sharp edges or corners.
- Do not run vacuum cleaner over cord. Keep cord away from heated surfaces.
- Do not use extension cords or outlets with inadequate current carrying capacity.
- Turn off all controls before unplugging.
- Do not unplug by pulling on cord. To unplug, grasp the plug, not the cord.
- Do not handle plug or vacuum cleaner with wet hands.
- Do not put any object into openings. Do not use with any opening blocked; keep free of dust, lint, hair, and anything that may reduce air flow.
- This vacuum cleaner creates suction and contains a revolving brushroll. Keep hair, loose clothing, fingers, and all parts of body away from openings and moving parts.
- Do not place cleaner on furniture or stairs as the brushroll may cause damage. Place cleaner on floor with the handle in storage position while using attachments.
- Do not pick up anything that is burning or smoking, such as cigarettes, matches, or hot ashes.
- Do not use without the dust cup or filter(s) in place.
- Belt pulleys can become hot during normal use. To prevent burns, avoid touching the belt pulley when servicing the drive belt.
- Use extra care when cleaning on stairs.
- Do not use to pick up flammable or combustible liquids such as gasoline, or use in areas where they may be present.
- Store your cleaner indoors in a cool, dry area.
- Keep your work area well lighted.
- Unplug electrical appliances before vacuuming them.

PLEASE SAVE THESE INSTRUCTIONS

WARNING

The brush in the cleaning head rotates at high speed and can cause damage to the mains supply cable if the cleaner passes over it during cleaning operations.

Care should be taken to ensure that this does not happen. If the cleaning head has accidentally passed over the mains supply cable the following action should be taken:

1. Switch off and remove the plug from the socket outlet.
2. Examine the mains supply cable for damage (only after removing the plug from the socket outlet).
3. If there is any sign of damage to the supply cable it **MUST** be renewed. The repair **MUST** be carried out by an Electrolux Service Agent or a similar qualified person.
4. **NEVER** use the machine with a damaged mains supply cable.

Proprietary carpet conditioning and air freshening materials

After using proprietary carpet conditioning powders, it is recommended that the filters be changed. Some of these preparations contain substances which if left in the vacuum cleaner for extended periods could damage the plastic mouldings which form the structure of the cleaner.

Many air fresheners, household deodorants, sprays and polishes contain a highly flammable gas propellant.

Because of this, it is particularly important that these products are used strictly in accordance with the relevant manufacturer's instructions.

It is essential that none of the above products are sprayed directly into the vacuum cleaner or any of its filters, hose assembly, dustbag chamber or dust cup.

Thermal Cut Off

This vacuum cleaner has a special thermostat that protects the cleaner in case of motor overheating. If the cleaner switches off, push the switch pedal once and unplug the cleaner. Check the cleaner for a possible source of overheating such as a full dust cup, a blocked hose or clogged filter. If these conditions are found, fix them and wait at least 60 minutes before attempting to use the cleaner. After the 60 minute period, plug the cleaner back in and push the on/off switch On (I). If the cleaner still does not run, please call Electrolux Customer Care.

BEFORE YOU START

CHECK THE VOLTAGE

Before connecting the cleaner to an electrical supply, ensure that the voltage shown on the rating plate located beneath the cleaner is of the correct voltage for your electricity supply. If it is not, do not use the cleaner but refer back to your dealer.

CONNECTING TO YOUR ELECTRICITY SUPPLY

Permanently connected to the cleaner is a mains supply (2-core) cable fitted with a non-rewirable plug incorporating a 13A fuse.

In the event of the fuse requiring replacement the fuse cover should be removed using a small screwdriver. The old fuse **MUST** be replaced by a 13A ASTA approved BS1362 fuse or a BSI approved fuse. The cover must be replaced before the plug is used again. In the event of loss of the fuse cover, replacements can be obtained from your Electrolux Retailers and must be of the same colour as indicated by the coloured insert on the base of the plug.

If difficulty is experienced in obtaining a replacement, contact Electrolux Customer Services on 08706 055055.

In no circumstances must the plug be used without a correct fuse cover fitted.

If the plug that is fitted to your appliance is not suitable for your socket outlet, it must be cut off and the appropriate plug fitted.

Remove the fuse from the cut off plug.

The cut off plug should then be disposed of to prevent the hazard of shocks in case it should be plugged into a 13 amp socket in another part of your home.

The wires in the mains cable of this appliance are coloured in accordance with the following code: Blue: Neutral. Brown: Live.

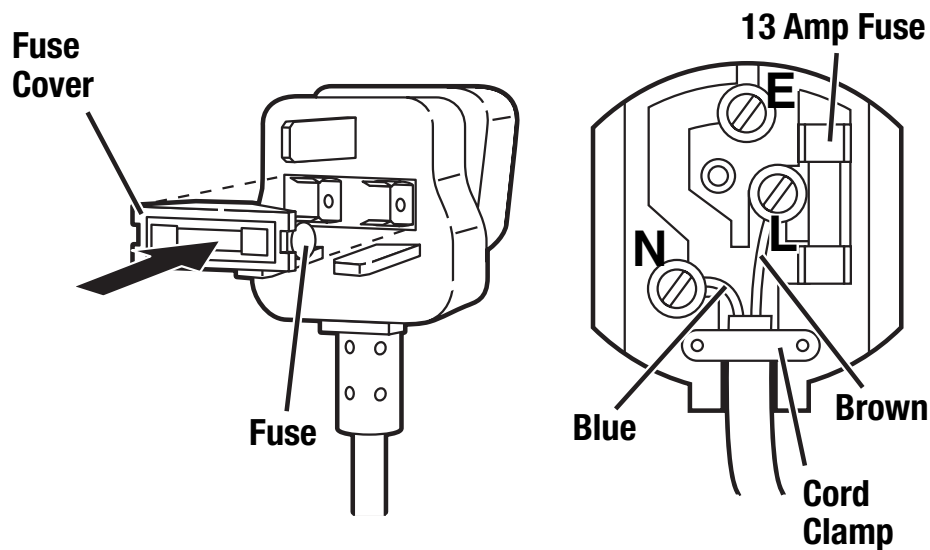
As the colours of the wires in the mains cable of this appliance may not correspond with the coloured markings identifying the terminals in your plug, proceed as follows:

The wire which is coloured blue must be connected to the terminal which is marked with the letter N or coloured black.

The wire which is coloured brown must be connected to the terminal which is marked with the letter L or coloured red.

If using a three-pin plug, do not make any connection to the terminal marked with the letter E or by the earth symbol or coloured green or green-and-yellow. This cleaner is double insulated and no earth connection is necessary.

It is in your interest to ensure that the plug is correctly attached to the mains cable. In case of doubt, consult a qualified electrician, as Electrolux cannot regard the repair of faults on the plug connection as a service that can be given free of charge under the terms of the guarantee.



The symbol on the product or on its packaging indicates that this product may not be treated as household waste. Instead it shall be handed over to the applicable collection point for the recycling of electrical and electronic equipment. By ensuring this product is disposed of correctly, you will help prevent potential negative consequences for the environment and human health, which could otherwise be caused by inappropriate waste handling of this product. For more detailed information about recycling of this product, please contact your local city office, your household waste disposal service or the shop where you purchased the product

SERVICE

Should you require service on your Electrolux cleaner, please telephone Electrolux Customer Services on 08706 055055. Before requesting service, please check whether your problem is covered under Service Checklist (see below).

New filter pads, brushrolls and drive belts can be obtained from Electrolux Retailers. If difficulty is experienced in obtaining spares, please contact Electrolux on 08706 055055.

SERVICE CHECKLIST

- If your cleaner will not operate, check the plug connection, plug fuse and mains fuse.
- **Never allow** the dust cup to become so full that it impedes the air flow, thus reducing the cleaning efficiency of the machine. The character of household dust and its effect on the air flow through the machine may vary considerably. Fluffy dust allows air to pass through readily whereas fine powdery dust or proprietary cleaning powders, pack tightly in the dust cup, offering greater resistance to air flow and will reduce cleaning efficiency if the cup becomes overloaded.
- **Always store** your cleaner and spare dust filters in a dry place.
- **Renew** the filter pads three or four times a year. This is essential to ensure continued high filtration of dust particles.
- **Sucking up** such items as stockings, clippings of cloth, sizeable pieces of paper, wrappings from cigarette packets or sweets etc., may block the hose. **Electrolux regrets that the clearing of blocked hoses cannot be regarded as service that can be given free of charge, under the guarantee.** Should a blockage occur, first disconnect the cleaner from the electricity supply, refer to section headed "Blockages". If these operations are not successful, contact Electrolux on 08706 055055.
- **Never** pick up hot cinders or lighted cigarette ends.
- **Make certain that your cleaner does not come into contact with water or any other liquid. It is not designed as a wet pick up cleaner, and must never be used on damp carpets or wet floors.**

Important - in the event of the mains supply cable of this vacuum cleaner requiring replacement, we recommend that this be carried out by Electrolux Service Staff.

Spares

New filters, brushrollers and drive belts can be obtained from Authorised Electrolux Dealers and electrical retailers. If difficulty is experienced in obtaining spares please call us on 08706 055055 or visit our website at www.shop.electrolux.co.uk

GUARANTEE

This guarantee is in addition to your statutory and other legal rights.

This product is for household use only.

Electrolux products are carefully designed, manufactured, tested and inspected and, in consequence, we undertake to replace or repair any part found to be defective in materials or workmanship, within one year of delivery to the original purchaser, free of charge. You may be required to take the product to your nearest service provider if the product requires attention during the first year.

There are certain conditions which may invalidate this guarantee:

- a. It is dependent upon the appliance being correctly installed and used in accordance with the Company's instructions under normal domestic conditions within the United Kingdom or the Republic of Ireland.
- b. Service at all times must be carried out by an Electrolux Service Representative or authorised agent.
- c. The guarantee may be invalidated by unauthorised repair or modification of the appliance.
- d. You may be charged by Electrolux if you call for an engineer to resolve a problem that we believe is covered in the instruction booklet. (example: blocked/dirty filters)

Electrolux does not accept liability for all defects arising from neglect, misuse or accident. This guarantee excludes such normal wearing parts as drive belts, brushes and filters as the life of these depends upon the amount and nature of use.

Proof of purchase will be required before service under guarantee is provided. Please call 08706 055 055 for assistance.

IMPORTANT:

For future reference we suggest you record the following details here, and keep the receipt with the handbook as proof of purchase.

Purchased from _____

Date purchased _____ Model no _____



101 Oakley Road, LUTON, BEDFORDSHIRE, LU4 9QQ

Features of the Electrolux vacuum cleaner and accessories supplied with it are protected in Great Britain and abroad by Patents or Registered Designs.

This appliance conforms with the requirements of the amended E.E.C. directive No. 89/336/EEC relating to electromagnetic compatibility (EMC) CE.

Electrolux, may introduce modifications to their product from time to time, and consequently the details given in this booklet are subject to alteration without notice.

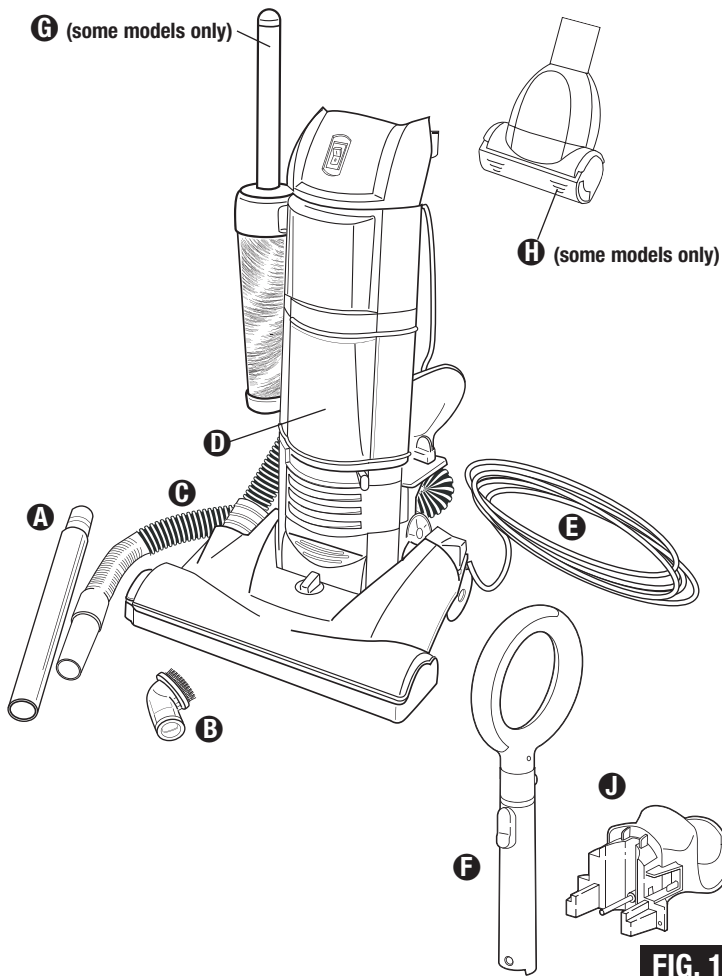


FIG. 1

PARTS LIST (FIG. 1)

- A** Wand and crevice wand (pull apart)
- B** Dusting brush
- C** Hose
- D** Vacuum cleaner body
- E** Electrical cord
- F** Handle
- G** Self-cleaning duster (some models only)
- H** Turbo tool (some models only)
- I** Screws located in the accessory package
- J** Carry handle assembly

HOW TO ASSEMBLE

CAUTION: Assemble the cleaner before using.

CAUTION: Moving parts. Make sure ON/OFF switch is in the OFF position before plugging in.

Step 1: Slide the handle into the hole as pictured (FIG. 2).

Step 2: Slide the carry handle into place as pictured; secure with 2 screws provided (FIG. 3).

Step 3: Pull the electrical cord up to the cord retainer on the back of the looped handle and firmly push down into retainer. This will keep the cord out of the way the next time you vacuum.

Step 4: Wind the cord around the two cord hooks on the back of the vacuum.

Step 5: Secure plug to the cord to prevent unwinding.

Step 6: Place the hose on the back of the vacuum, wrapping it up and over the hose hook as shown (FIG. 4).

Step 7: Secure the bottom of the self cleaning duster (some models) to the bottom hose; fasten into place by tightening the screw. Firmly push the end of the stretch hose into the top of the self cleaning duster.

Step 8: Store the wands on the side of the vacuum in front of the hose (FIG. 5).

Step 9: Store the dusting brush on its holder (FIG. 6).

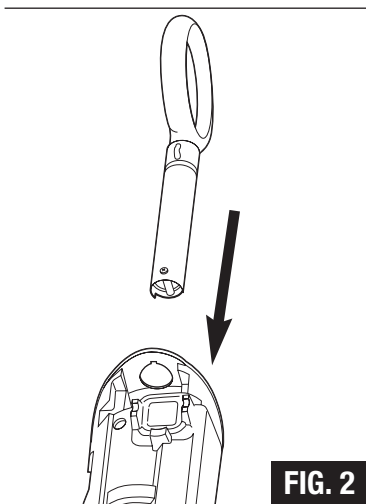


FIG. 2

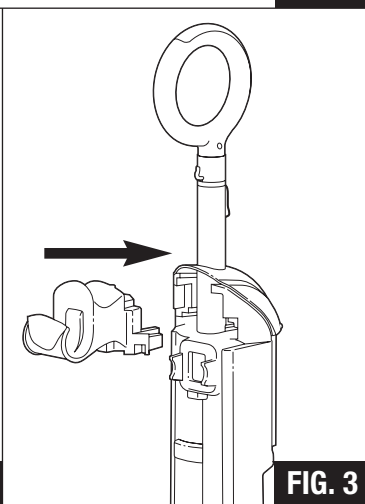


FIG. 3

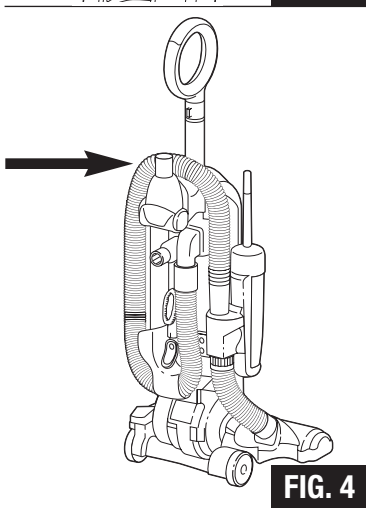


FIG. 4

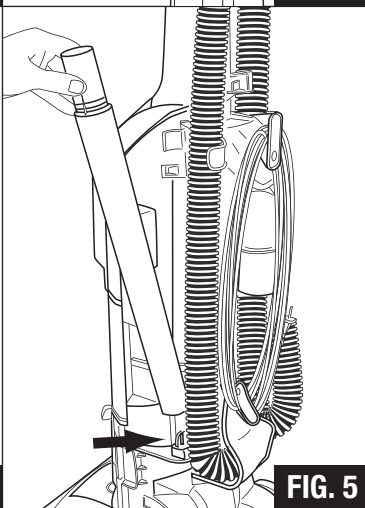


FIG. 5

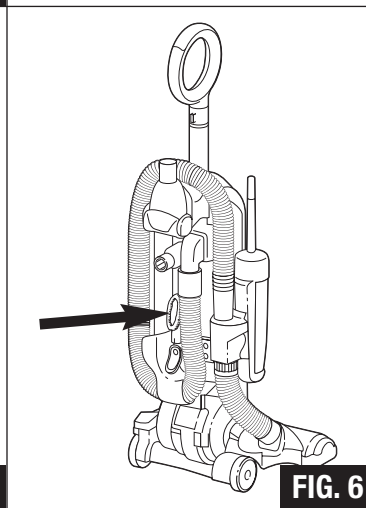


FIG. 6

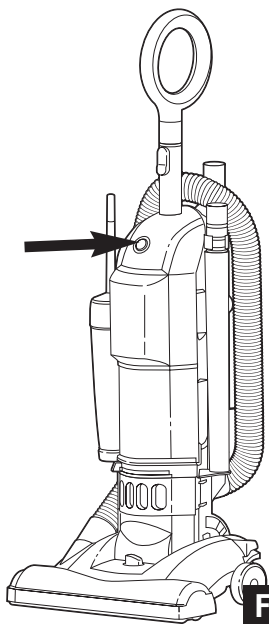


FIG. 7

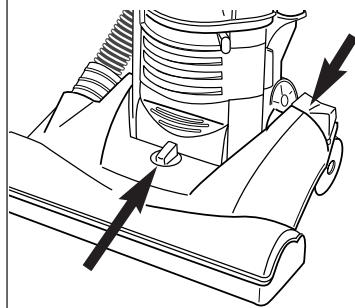


FIG. 8

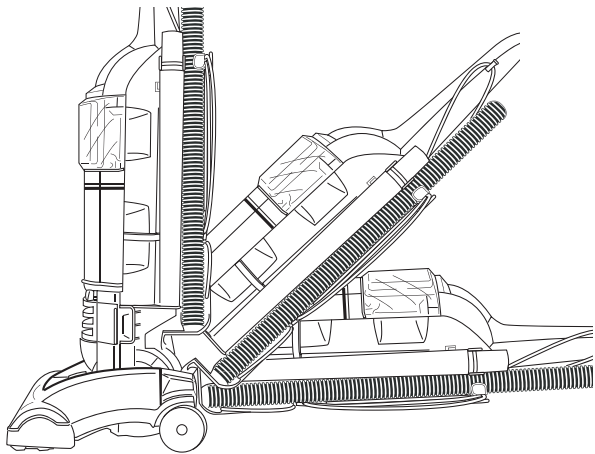


FIG. 9

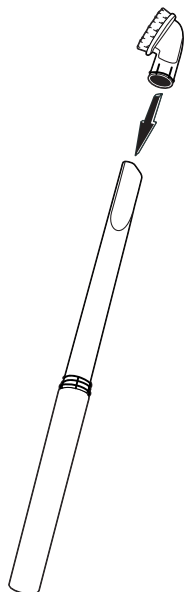


FIG. 10

HOW TO USE

WARNING: Avoid injury. Keep loose clothing, hair, fingers, and all other parts of body away from any moving part (such as the revolving brush). Turn off the switch and unplug the cleaner before changing the cleaner height setting.

ON/OFF Switch. International symbol I means On, International symbol O means Off (FIG. 7).

Handle Release (FIG. 8). Step on handle release to pull handle back to a comfortable operating position. To lower handle completely to the floor (FIG. 9), depress handle release a second time.

Helpful Information:

Before cleaning under low furniture, check area first for objects that might harm the unit or block the vacuum hose.

Cleaner Height Setting. An adjustment that raises or lowers the cleaner base to match the type of floor surface. With the cleaner cord unplugged, set the adjustment to lowest setting for maximum carpet cleaning. **If the cleaner is difficult to push, move adjustment to next highest setting until cleaner is comfortable to push.** The brushroll must reach the carpet for effective cleaning. For ease in moving the adjustment knob, place handle in operating position and tilt cleaner back to remove weight from front wheels (FIG. 8).

Helpful Information:

Listen to your cleaner. If you notice a change in the sound of the motor or a change in performance, it could simply indicate a common usage or maintenance issue. Such as, a need to raise or lower the carpet height adjustment, possible blockage in hose or brushroll area, or a broken or loose brushroll belt. These are all easy to fix and the instructions are included in this owner's guide. Becoming familiar with the information in this guide will help you to get the best possible performance from your new cleaner for many years to come.

Note: While using accessories, do not place cleaner on furniture or steps as the brushroll may cause damage. Place cleaner on floor with the handle in storage position.

Step 1: To use accessories, place desired accessory into the end of the hose or wand (FIG.10).

Dusting/Upholstery Brush is for furniture, blinds, books, lamp shades, shelves, curtains, draperies, cushions and fabrics.

Crevice Wand cleans corners, stairs, baseboards, and between cushions.

Nested Extension Wands to add reach.

Step 1: Grasp both wands near ridges.

Step 2: Pull apart.

Step 3: Turn ridge end to center.

Step 4: Push wands together.

The instructions in the booklet serve as a guide to routine maintenance. To avoid unnecessary service calls, check the top and bottom filters, belt and brushroll often.

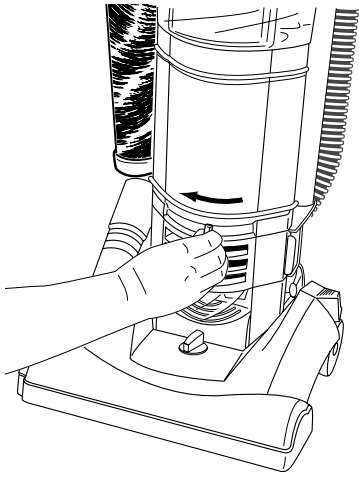


FIG. 11

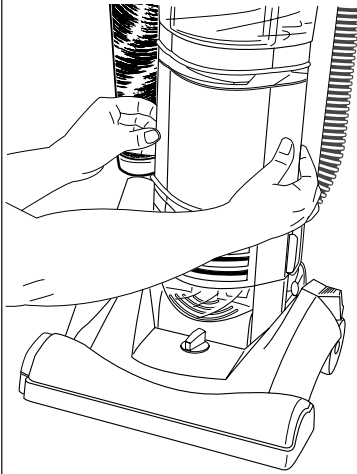


FIG. 12

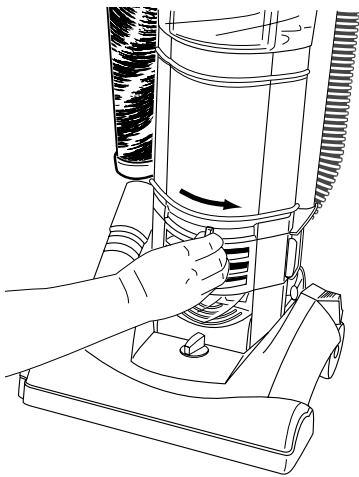


FIG. 13

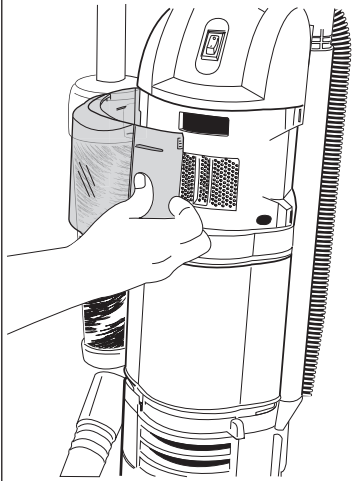


FIG. 14

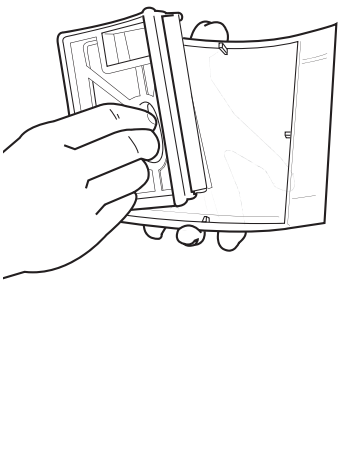


FIG. 15

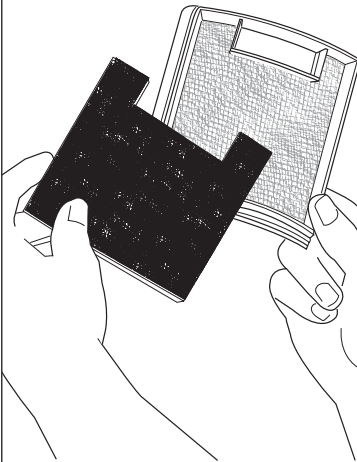


FIG. 16

ROUTINE MAINTENANCE

Note: Turn off the switch and unplug the electrical cord before routine maintenance. Never operate the vacuum cleaner without the top and bottom filters in place.

Note: When vacuuming carpet fresheners or cleaners, powder, plaster dust, or similar fine substances, the top and bottom filters will require more frequent maintenance.

Removing the Dust Cup

Step 1: Remove dust cup by sliding dust cup lever from right to left (FIG. 11).

Step 2: Grasp dust cup with both hands and pull out (FIG. 12).

Step 3: Empty dust cup into trash.

Step 4: Reposition dust cup in cleaner body and secure by moving lever from left to right (FIG. 13).

Top Filter Maintenance (Ref. EF87A)

This new Electrolux Upright uses a cyclone system as a primary filter and a secondary or top mounted filter that has been moved outside of the dirt cup. This makes emptying the dirt cup much easier and less messy. It is normal for this filter to trap fine particles, pet hair, and carpet fuzz. It should be cleaned periodically depending on vacuuming conditions. For optimum performance replace it every 12 months.

Step 1: Remove top filter cover by grasping right edge and pivoting to the left (FIG. 14).

Step 2: Remove filter frame from top filter cover (FIG. 15).

Step 3: Remove foam from filter frame (FIG. 16). Shake filter frame and foam filter to remove excess dust. If necessary, the filter frame and foam filter can be rinsed in lukewarm water and air dried.

Note: The filter frame, foam and cover are not dishwasher safe.

Step 4: When dry, replace foam filter into filter frame.

Step 5: Replace filter frame into top filter cover. Replace top filter cover by pivoting back onto cleaner from left to right.

WARNING: Always check that foam filter and frame are correctly installed in the cover before using vacuum.

(CONTINUED)

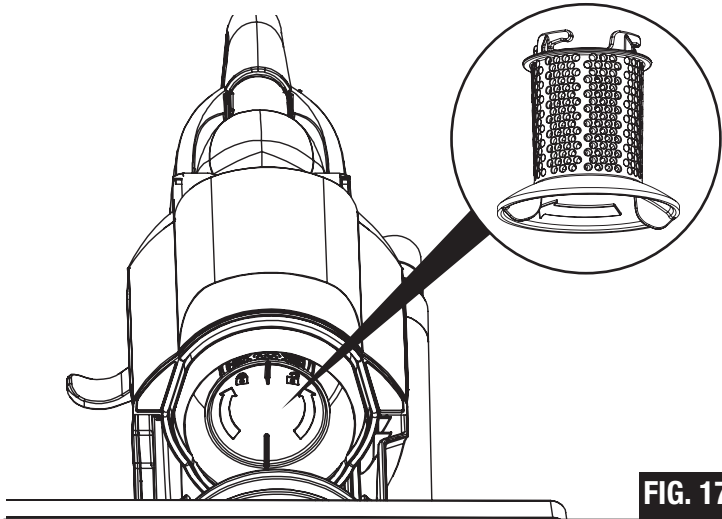


FIG. 17

ROUTINE MAINTENANCE (continued)

Filter Screen

The filter screen is located directly above the dust cup and is easily removed by turning it counter-clockwise. It should be checked regularly to ensure an open airway. Reinsert the screen by turning it clockwise (FIG. 17).

Bottom Filter Maintenance (Ref. EF82)

Check the bottom filter frequently. For optimum performance, replace bottom filter every 12 months.

Step 1: Remove the bottom filter cover by grasping the right edge and pivoting to the left (FIG. 18).

Step 2: Pull filter frame from unit by pulling on tab in center (FIG. 19).

Step 3: On some models, remove filter pad and shake to remove excess dust. If necessary this pad can be cleaned by vacuuming with another cleaner (FIG. 20).

Step 4: Replace filter into unit. Replace bottom filter cover by pivoting back onto cleaner from left to right.

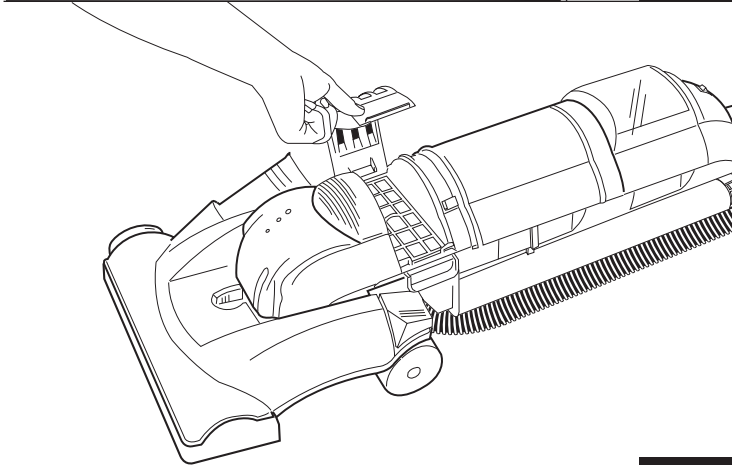


FIG. 18

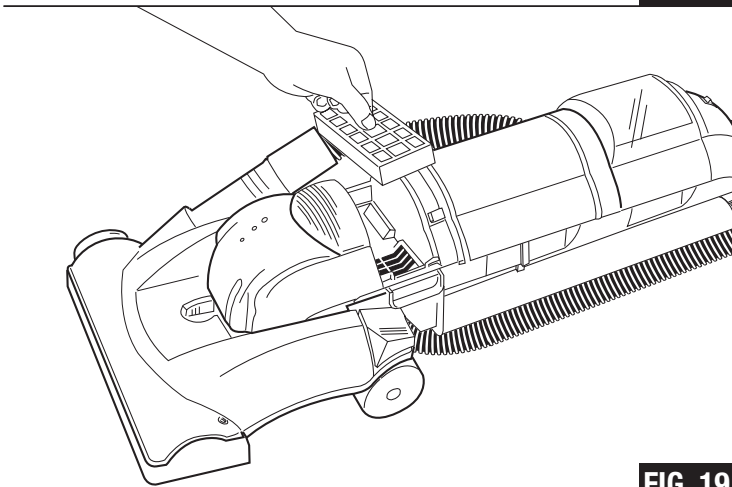


FIG. 19

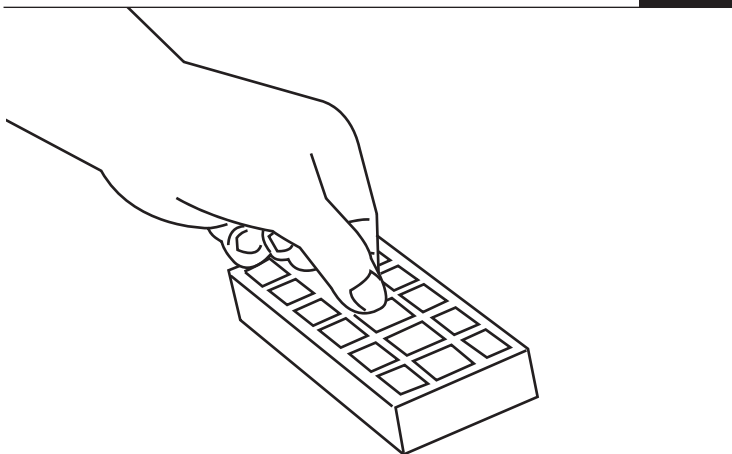


FIG. 20

PERIODIC MAINTENANCE

CAUTION: Turn off the switch and unplug the electrical cord before periodic maintenance. Never operate the vacuum cleaner without the dust bag or filter assembly in place.

Brushroll

The brushroll turns as it sweeps and combs the carpet nap. Remove hair and threads from the brushroll so it continues brushing the carpet. To maintain the most efficient cleaning, the bristles must touch the carpet. To test the bristle length, hold a ruler against the underneath side of the cleaner. If the bristles no longer touch the ruler, replace the brushroll.

Brushroll Belt (Ref. ZE090)

The brushroll belt turns the brushroll to agitate, sweep, and comb the carpet nap. Check the belt regularly to be sure it is in good condition. Replace the belt if it stretches, cracks or loses tension. Cut away any hair or threads wound around the brush roll or the belt pulley because the buildup could cause the belt to rotate unevenly.

PERIODIC MAINTENANCE (continued)

How To Replace Brushroll Belt

Step 1: Lower handle to floor to change belt (FIG. 21).

Step 2: Remove the two screws from the top of the hood (FIG. 22).

Step 3: Lift hood to remove (FIG. 23).

Step 4: Lift right end of brushroll (FIG. 24).

Step 5: Remove and discard belt.

Step 6: Place new belt around motor shaft.

Step 7: Place new belt around brushroll pulley.

Step 8: Align left end cap with base. Push end cap securely into place. Make sure the square on the brushroll cap is in place (FIG. 25).

Step 9: Pull right side of brushroll to stretch belt. Secure right end cap into base.

IMPORTANT

Step 10: Rotate brushroll by hand 2 full rotations to properly position belt.

Step 11: Place hood back on cleaner. Replace and tighten two screws.

Step 12: Return vacuum to upright position.

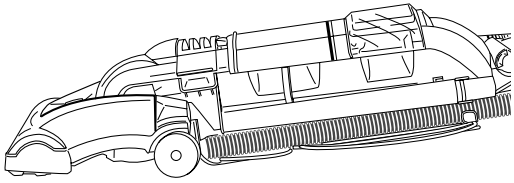
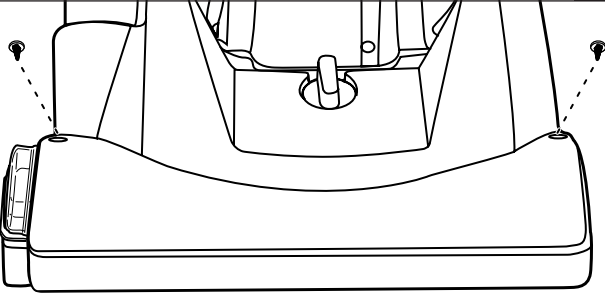


FIG. 21



Edge Kleen™ model shown (some models only)

FIG. 22

Edge Kleen™ model shown
(some models only)

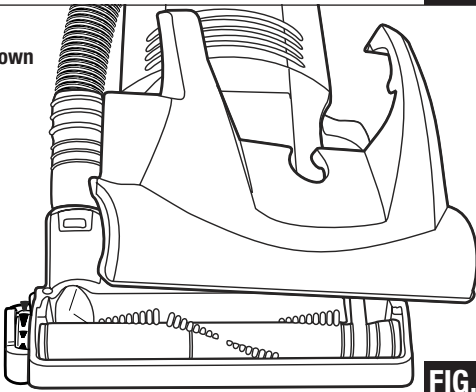


FIG. 23

Edge Kleen™ model shown
(some models only)

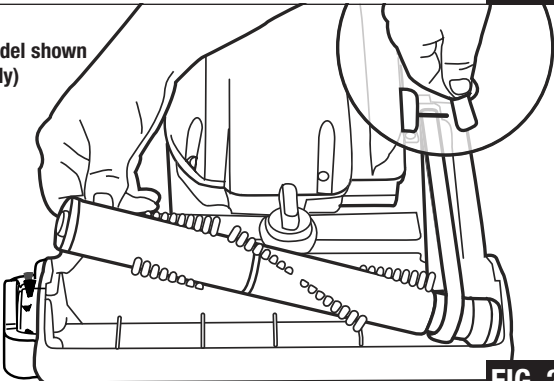


FIG. 24

Edge Kleen™ model shown
(some models only)

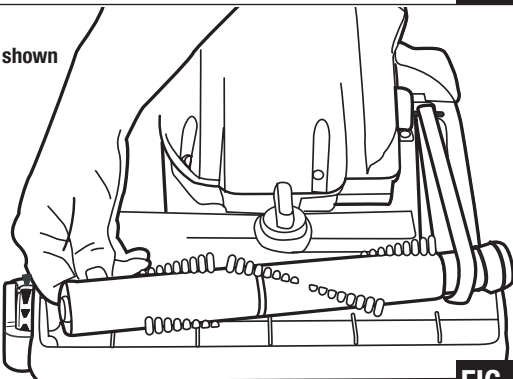


FIG. 25

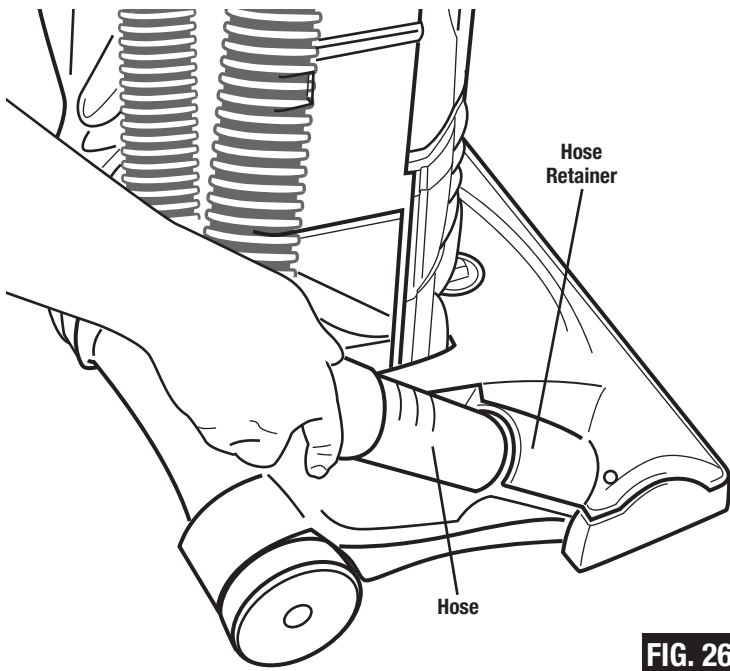


FIG. 26

Edge Kleen™ model shown (some models only)

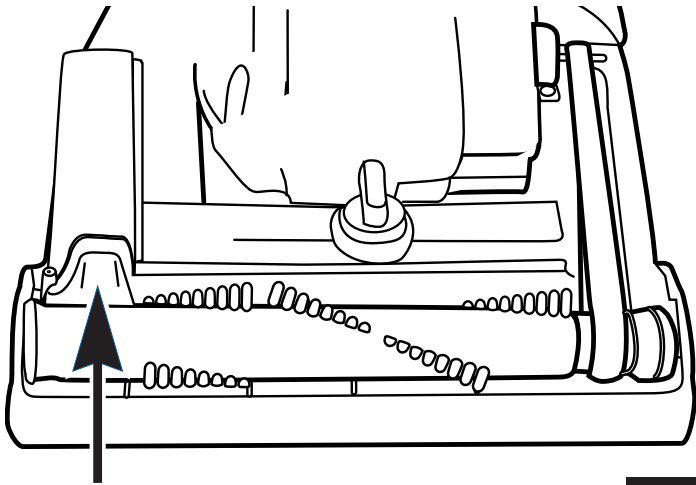


FIG. 27

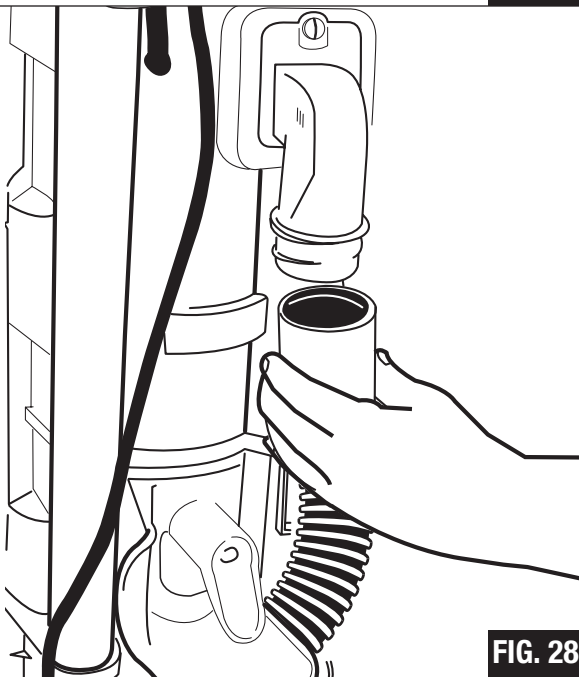


FIG. 28

PROBLEM SOLVING

How to Clear Blockages in Hose

CAUTION: Turn off the switch and unplug the electrical cord before periodic maintenance.

- Step 1:** Firmly pull the end of the hose from the hose retainer on the hood of the vacuum (FIG. 26).
- Step 2:** Check for blockages in the hose and hose retainer. Flexing the hose may help loosen any blockage. **If no blockage is found, continue to step 4.** If blockage is found, clear the blockage and replace the hose in the hose retainer. **If the blockage is in the hose retainer and cannot be cleared, continue to step 3.**
- Step 3:** Remove the hood from the cleaner and check for a blockage in the brushroll area (FIG. 27). Make sure the hose inlet is clear. **If no blockage is found, continue to step 4.** After the blockage is found and cleared, replace the hood on the cleaner.
- Step 4:** Twist the hose from the coupling elbow on the back of cleaner. Check for blockages at cleaner opening and in hose (FIG. 28). If a blockage is found, clear the blockage. The screw attaching the clear hose adapter can be removed for better access to a blockage.
- Step 5:** Screw the hose back onto the back of the cleaner and replace the other end of the hose into the hose retainer on the hood of vacuum.

PROBLEM SOLVING

CAUTION: Turn off the switch and unplug the electrical cord before servicing.

Problem	Cause	Solution
Motor will not start	Electric Plug	<ul style="list-style-type: none"> • Push plug securely into outlet • Try another outlet • Check circuit breaker
Motor stops suddenly	Thermal Cut Off	<ul style="list-style-type: none"> • Refer to page 2
Does not clean the carpet or floor	Filters Dust Cup Hose Belt Brushroll	<ul style="list-style-type: none"> • Clean or replace filters. Hint: If picking up fine dust, the filters may not look dirty, but a fine substance tends to reduce suction when it blocks the air flow through the filter(s). Pages 7-8. • Empty dust cup. Check to ensure cup is properly seated and secured with lever engaged. Hint: Be sure both top and bottom filters are in place. • Be sure hose adapter is secure on back of cleaner. Page 10. • Remove any blockages from the hose that restricts the air flow. Page 10. • Check to see that the end of the hose is firmly pressed into the hose retainer in the hood of the vacuum. Page 10. • Check base hose and long hose. Page 10. • Replace a broken, cut, loose or out of shape belt. Page 9. • Clean hair and thread from bristles and end cap area. • Replace brushroll if bristles are worn. Page 9.
No suction at the end of hose	Hose Adapter Filters Hose Dust Cup	<ul style="list-style-type: none"> • Be sure hose adapter is secure. Page 10. • Clean or replace filters. Hint: If picking up fine dust, the filters may not look dirty, but a fine substance tends to reduce suction when it blocks the air flow through the filter(s). Page 7-8. • Remove any clogs from hose that restricts the air flow. Check base hose and long hose. Page 10. • Empty dust cup. Check to insure cup is properly seated and secured with lever engaged. Hint: Be sure both top & bottom filters are in place. Page 7-8.
Noise from the brushroll area	Brushroll Belt	<ul style="list-style-type: none"> • Remove hood and clean debris or items from the brushroll area. Page 9. • Replace a broken, cut, loose or out of shape belt. Page 9.
Cleaner is hard to push	Cleaner Height Setting Belt	<ul style="list-style-type: none"> • Put handle in operating position. Tilt the cleaner back to raise the front wheels off the floor. Then turn the knob to a higher setting. • Replace a broken, cut, loose or out of shape belt. Page 9.
Cleaner height knob will not turn	Cleaner Height Setting	<ul style="list-style-type: none"> • Hint: Put handle in operating position. Tilt the cleaner back to raise the front wheels off floor. Then turn the knob. Page 6.
Missing parts		<ul style="list-style-type: none"> • Call Electrolux on 08706 055055. Have the model and serial numbers ready when you call. See rating plate beneath the cleaner.
Questions		<ul style="list-style-type: none"> • Call Electrolux on 08706 055055. Have the model and serial numbers ready when you call. See rating plate beneath the cleaner.

**If you experience any problems with your cleaner,
don't struggle taking it back to the shop.**

**Call our dedicated Customer Helpline
for help and advice on
08706 055055**

Accessory Items in This Carton



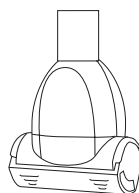
1 Dusting/Upholstery Brush



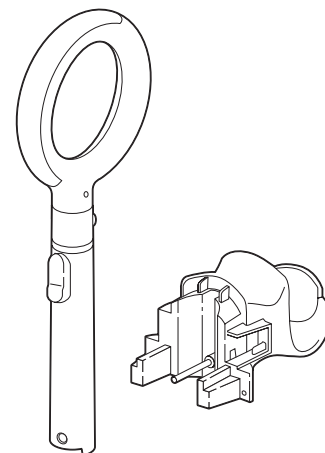
1 extra belt



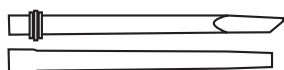
Dust Cup Filter (DCF16)



Riser Visor Turbo
(on some models)



1 vacuum cleaner handle



1 extension tube,
1 crevice wand



1 accessory package
(2 screws)

**Thank you for purchasing an Electrolux cleaner.
Don't Forget to Use
Genuine Electrolux Belts and Filters**

Caution: Damages caused by the use of non-genuine parts are not covered by the Electrolux Guarantee.